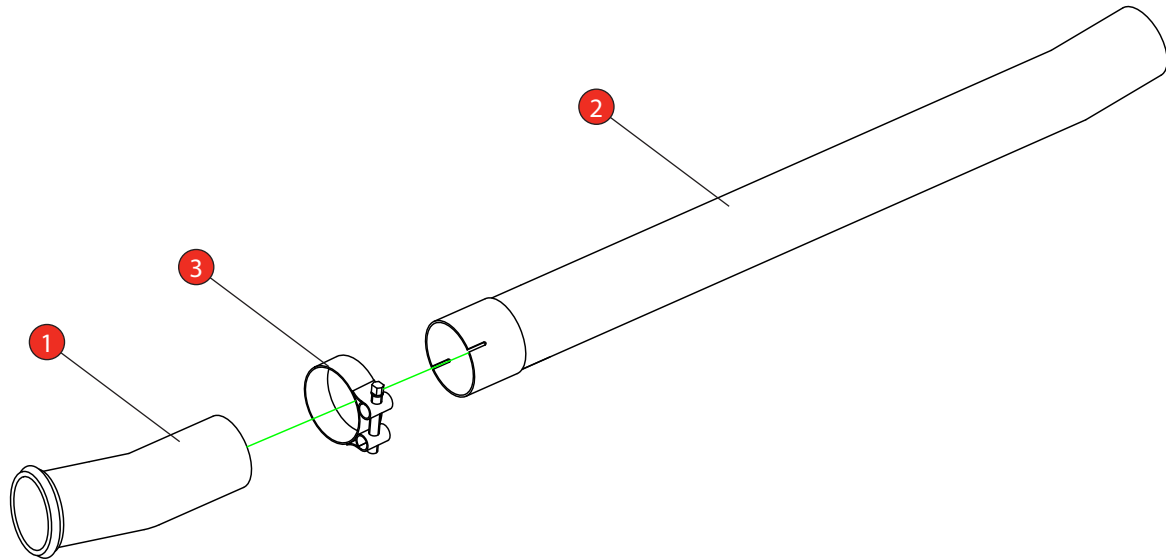


<b>Car</b>	Mini Cooper S F56 GPF	<b>Part No.</b>	SMNSP022
<b>Year</b>	2019-Current	<b>Fit Kits</b>	006FK
<b>Notes</b>	Where not supplied use original fittings. Only fits to SMN022	<b>Features</b>	Pipe Diameter:- 76mm

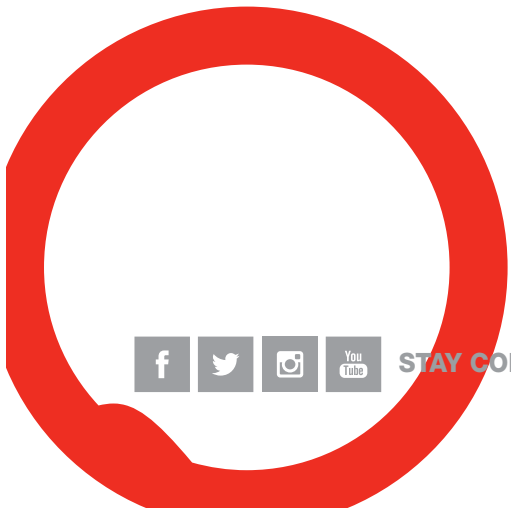
Estimated Fitting Time: 60 Minutes



NO.	PART NO.	DESCRIPTION	QTY
1	795BM	Front Adaptor	1
2	797BM	Non -resonated GPF Delete	1
<b>Fit Kit</b>			
3	Z016.10062	79mm H/D Clamp	1

CLASSIFICATION	Motorsport Use Only
HOMOLOGATED	No
DATE	15/10/20
ISSUE	01
AUTHORISED	M.Ydlibi

**NOTE:** ENSURE SCORPION SYSTEM IS CLEAR OF MOVING PARTS AND ALL ORIGINAL FUNCTIONS WORK CORRECTLY.



STAY CONNECTED TO RED POWER.